

# Fact Sheet

# BIZERBA

## VSP F

*This fully automatic premium class vertical slicer ensures maximum hygiene and productivity thanks to touchless depositing and automatic carriage drive. SmarterSlicing technology simplifies all activities related to sharpening, cleaning and maintenance and thus maximizes service life and performance of the VSP F. An intuitive operating concept with touch screen allows fast workflows at the deli counter also when slicing large quantities.*



**More information**  
High performance  
with a wide range of  
solutions and options.

| Specifications                    | Facts  | Details                                   |
|-----------------------------------|--|---|
| <b>Dimensions</b>                 |  |   |
| <b>Outer dimensions L x W x H</b> | 627 x 711 x 551 mm   | 7", standard                              |
|                                   | 627 x 815 x 627 mm   | 10", model with portion scale             |
| <b>Footprint L1 x W1</b>          | 516 x 433 mm   | 7", standard                              |
|                                   | 423 x 412 mm   | 10", model with portion scale             |
| <b>Work area L2 x W2 x H2</b>     | 680 x 826 x 551 mm   | 7", standard                              |
|                                   | 746 x 885 x 627 mm   | 10", model with portion scale             |
| <b>Electrical data</b>            |  |   |
| <b>Power consumption</b>          | 100-120 V; 50/60 Hz; 1.9-2.3 A   | 1-phase alternating current with Emotion® |
|                                   | 220-240 V; 50/60 Hz; 1.0 A   | 1-phase alternating current with Emotion® |
| <b>IP rating</b>                  | IP33   |   |
| <b>Performance data</b>           |  |   |
| <b>Product size</b>               |  |   |
| <b>Quadratic W x H</b>            | 240 x 175 mm   | With depositing system                    |
| <b>Round Ø</b>                    | 180 mm   |   |
| <b>Quadratic W x H</b>            | 260 x 175 mm   | Without depositing system                 |
| <b>Round Ø</b>                    | 225 mm   |   |
| <b>Blade Ø</b>                    | 330 mm   |   |
| <b>Blade speed</b>                | 160-300 rpm  | Adjustable via HMI                        |
| <b>Blade alignment</b>            | 0° inclination   |   |
| <b>Slice thickness</b>            | 0-24 mm  | Without depositing system                 |
|                                   | 0.5-8 mm   | With depositing system                    |
|                                   | 0-3 mm   | Fine adjustment                           |
| <b>Slicing performance</b>        | Depending on depositing type and product                               |   |
| <b>Carriage angle</b>             | 0°   |   |
| <b>Housing material</b>           | Anodized aluminum<br>Bizerba Ceraclean®<br>Stainless steel<br>Plastics |   |
| <b>Weight</b>                     |  |   |
| <b>Machine weight</b>             | approx. 75 kg  |   |
| <b>Packaging data</b>             |  |   |
| <b>Dimensions L x W x H</b>       | 860 x 830 x 780 mm   |   |
| <b>Packaging weight</b>           | approx. 95 kg  |   |

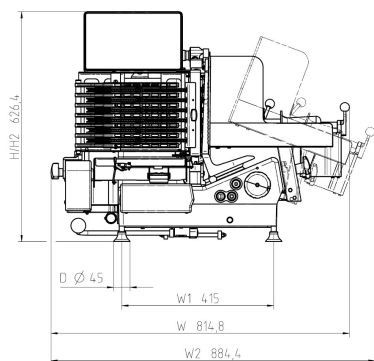
| Options                  | Facts     | Details        |
|--------------------------|-----------|----------------|
| Integrated portion scale | 0-3,000 g | Weighing range |
|                          | 2 g       | Interval       |

## Info graphics

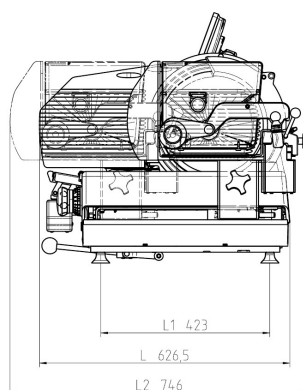
### Symbols



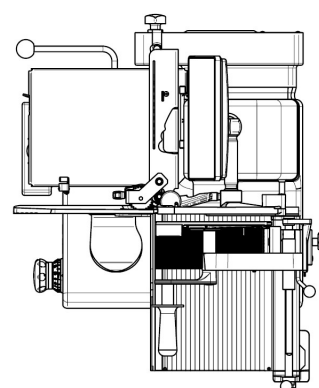
### Dimensional drawings



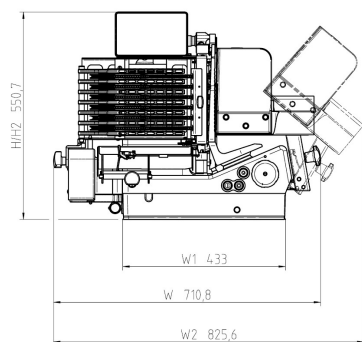
VSP F 10" display front view



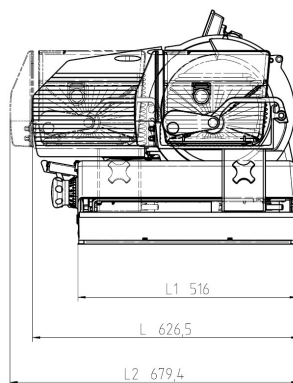
VSP F 10" display side view



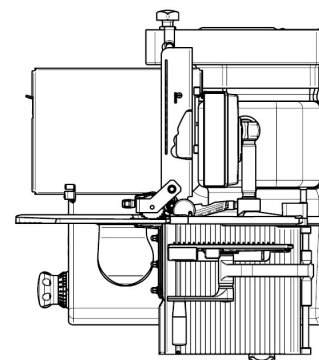
VSP F 10" display top view



VSP F 7" display front view



VSP F 7" display side view



VSP F 7" display top view

**Bizerba SE & Co. KG**  
 Wilhelm-Kraut-Straße 65  
 72336 Balingen

Phone: +49 7433 12-0  
 Fax: +49 7433 12-2696  
 marketing@bizerba.com

[www.bizerba.com](http://www.bizerba.com)